

LIGHT IT LIKE IT



P10+



- 1000W CW LED
- High Brightness 39000Lm OUTPUT
- High CRI 26000Lm OUTPUT
- 6° ~ 52° BEAM ANGLE
- 6500 CCT
- 95/72 Ra CRI
- 6 R GOBO WHEEL
- F GOBO WHEEL
- 6+1 COLOUR WHEEL
- CMY
- CTO
- PRISM EFFECT
- FROST EFFECT
- FRAMING BLADES
- IRIS
- ANIMATION
- 36/52 CHANNEL
- 512 DMX
- RDM
- 540° ~ 270° PAN/TILT
- 1181W

Adopts 1000W CW LED dual-display light source
 Total luminous flux 39,000 lumens (High Brightness mode) / 26,000 lumens (High CRI mode)
 Beam Angle 6° ~52° zoom
 CCT 6500K
 Switchable Ra:95 R9:95(High CRI mode) / 72(High Brightness mode)

OPTIC

- Source: 1000W CW LED (High CRI + High Output)
- Output: 39000 Lm(High Brightness) / 26000 Lm(High CRI)
- Beam angle: 6 ~ 52°
- CCT: 6500K
- CRI: 72 /95 (Freedom to switch)
- Lens diameter: 158 mm
- Source lifetime: >20000 H

EFFECT

- Strobe: 1~25Hz
- Rotation gobo wheel: 6 + 1
- Fixed gobo wheel: 7 + 1
- Gobo size: Outer diameter 30mm/Inner diameter 25mm/Thickness 1.1mm
- Color wheel: 6 + 1
- Linear CMY 、 Linear CTO (2400~6500K)
- Prism: 4 fact prism + 6 linear
- Frost: Light frost + Heavy frost
- Animation + With iris
- Framing: With 4 blade, can achieve fast and smooth cutting. The framing direction and angle of each blade can be controlled separately, and the each brade can realize complete beam closing. The whole cutting module can be rotated by ±60°

CONTROL & PROGRAM

- Channel: 36/52 CH
- Protocal: DMX512, RDM
- Data connector: 3PIN XLR
- Display: 2.8 inches touch screen, the operation panel has a rechargeable battery that allows you to access the menu to set the address code and make other settings without power on

SOFTWARE

- Via USB & DMX signal to update
- Static waterproof fan, intelligent speed control
- Intelligent temperature protection to ensure LED service life

PAN & TILT MOVEMENT

- Pan: 540° or 630° 8bit/16bit
- Tilt: 270° 8bit/16bit

HOUSING

- Aluminum alloy structure + plastic (VO)
- Fan cooling

POWER CONSUMPTION

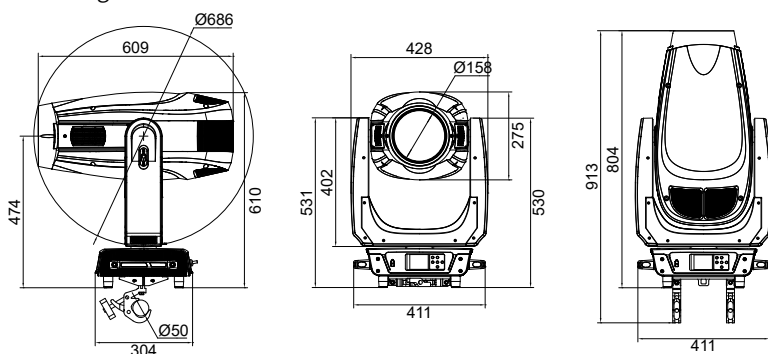
- Voltage: AC 100V~240V 50/60Hz
- Rated power: 1181 W
- Power factor: 0.99

OTHER

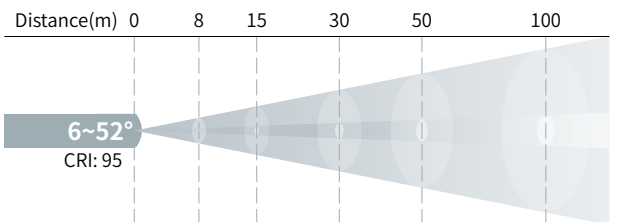
- IP rating: IP30
- Work environment: -40°C ~ 45°C
- Startup environment: -20°C ~ 45°C

SIZE & WEIGHT

- Size: 428 × 304 × 804 mm
- N.W: 41 kgs



PHOTOMETRICAL DATA



Distance(m)	0	8	15	30	50	100
Lux 6° CRI:72		27400	7843	1960	704	176
Lux 6° CRI:95		20100	5753	1438	516	129
Diameter(m)		0.84	1.57	3.14	5.24	10.48
Lux 52° CRI:72		1210	343	85	30	
Lux 52° CRI:95		913	259	64	23	
Diameter(m)		7.80	14.63	29.26	48.77	

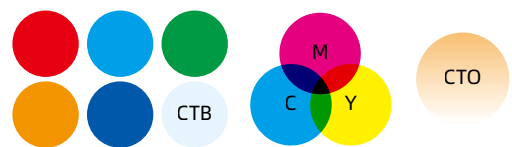
ROTATION GOBO



FIXED GOBO



COLOUR



FRAMING BLADES



ANIMATION PRISM FROST

