

LIGHT IT LIVE IT



V10



Adopts 1000W CW LED light source
 Total luminous flux 41,000 lumens
 Beam Angle 6° ~52° zoom
 CCT 6500K

OPTIC

- Source: 1000W CW LED
- Output: 41000 Lm
- Beam angle: 6 ~ 52°
- CCT: 6500K
- CRI: 72(With CRI filter 90)
- Lens diameter: 158 mm
- Source lifetime: >20000 H

EFFECT

- Strobe: 1~25Hz
- Rotation gobo wheel: 6 + 1
- Fixed gobo wheel: 7 + 1
- Gobo size: Outer diameter 30mm/Inner diameter 25mm/Thickness 1.1mm
- Color wheel: 6 + 1
- CMY + CTO
- Prism: 4 fact prism + 6 linear
- Frost: Light frost + Heavy frost
- Animation + With iris
- Framing: With 4 blade, can achieve fast and smooth cutting. The framing direction and angle of each blade can be controlled separately, and the each blade can realize complete beam closing. The whole cutting module can be rotated by ±60°

CONTROL & PROGRAM

- Channel: 36/52 CH
- Protocol: DMX512, RDM
- Data connector: 3PIN XLR
- Display: 2.8 inches touch screen, the operation panel has a rechargeable battery that allows you to access the menu to set the address code and make other settings without power on

SOFTWARE

- Via USB & DMX signal to update
- Static waterproof fan, intelligent speed control
- Intelligent temperature protection to ensure LED service life

PAN & TILT MOVEMENT

- Pan: 540° or 630° 8bit/16bit
- Tilt: 270° 8bit/16bit

HOUSING

- Aluminum alloy structure + plastic (VO)
- Fan cooling

POWER CONSUMPTION

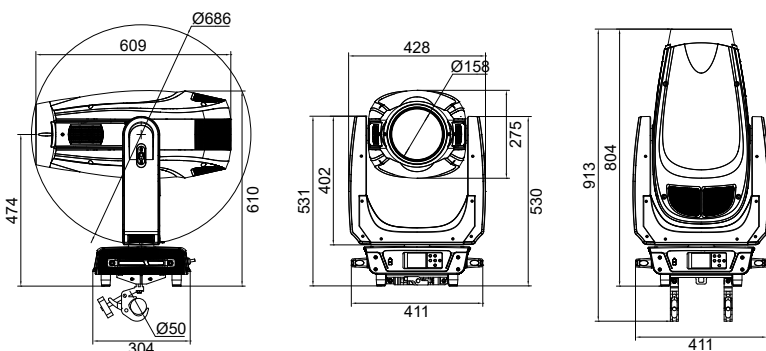
- Voltage: AC 100V~240V 50/60Hz
- Rated power: 1213 W

OTHER

- IP rating: IP30
- Work environment: -40°C ~ 45°C
- Startup environment: -20°C ~ 45°C

SIZE & WEIGHT

- Size: 428 × 304 × 804 mm
- N.W: 40 kgs



PHOTOMETRICAL DATA

Distance(m)	0	8	15	30	50	100
Lux 6°		32100	9920	2160	808	205
Diameter(m)		0.84	1.57	3.14	5.24	10.48
Lux 52°		1089	280	75	28	
Diameter(m)		7.80	14.63	29.26	48.77	

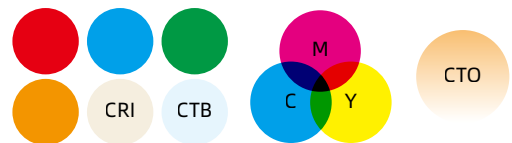
ROTATION GOBO



FIXED GOBO



COLOUR



FRAMING BLADES



ANIMATION



PRISM



FROST

