

LIGHT KIT



Fresnel 350



Adopts 350W WW LED

Output: 11000 Lm

CCT: 3000K (optional: 5600K)

Beam angle: 11° ~ 48°

CRI: 96

TLCI: 97

TM-30: Rf: 92, Rg: 102

The projected light spot is uniform, with an effective projection distance of up to 20 meters

OPTIC

- Source: 350W WW LED
- Output: 11000 Lm
- Zoom range: 11~68°
- CCT: 3000K (Optional: 5600K)
- CRI: 96
- R9: 97
- TLCI: 97
- TM-30: Rf: 92, Rg: 102
- Source lifetime: >20000 H

EFFECT

- Strobe: 1 ~ 25 Hz
- Dimmer Curve: 4 kinds

CONTROL & PROGRAM

- Channel: 2 / 3 / 4 / 6 CH
- Protocol: DMX512, RDM
- Data connector: 3 PIN (or 5 PIN) XLR
- Display: OLED display

SOFTWARE

- Via USB & DMX signal to update
- Silent fan, intelligent speed regulation
- Intelligent temperature protection to ensure LED service life

HOUSING

- Aluminum alloy structure
- Fan cooling

POWER CONSUMPTION

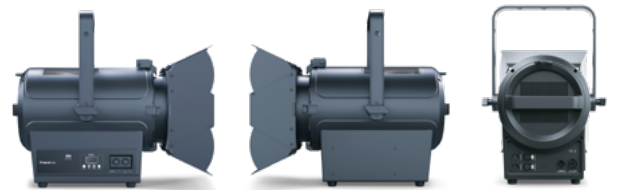
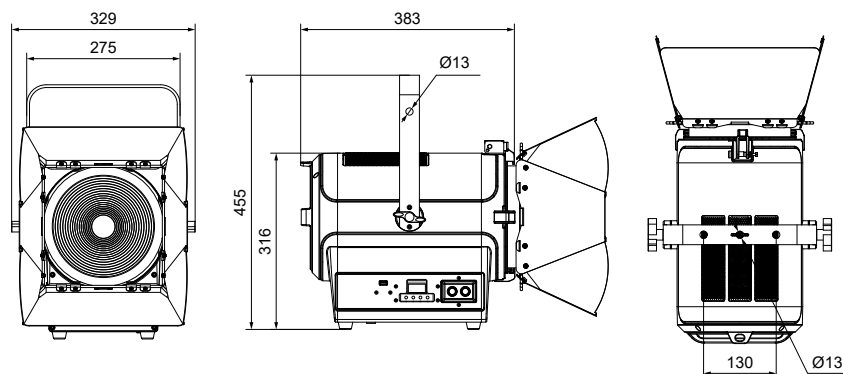
- Voltage: AC 100V-240V 50/60HZ
- Rated power: 350W

OTHER

- IP rating: IP30
- Work environment: -40°C ~ 45°C
- Startup environment: -20°C ~ 45°C

SIZE & WEIGHT

- Size: 329 × 383 × 455 mm
- N.W: 11.5 kgs



PHOTOMETRICAL DATA

Distance(m)	0	3	5	8	12	15
CRI: 96						
R9: 97						
TLCI: 97						
11~68°						
TM-30: Rf92						
Rg102						
Lux 11°		19580	6961	2724	584	339
Diameter(m)		0.58	0.96	1.54	2.32	2.90
Lux 68°		1732	713	373	90	37
Diameter(m)		4.05	6.75	10.79	16.19	20.24

OPTIONAL ACCESSORY



Manual rotation bracket