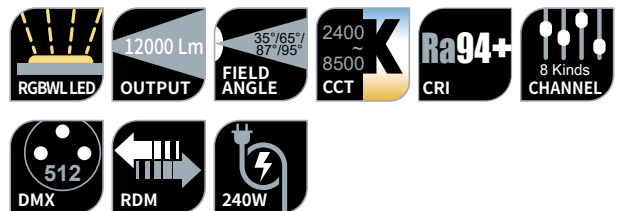


LIGHT BUCKET



FC Pendant 300



Adopts RGBWL LED
 Field angle: 35° /65° /90° /95°
 Output: 12000 Lm
 CCT: 2400 ~ 8500K
 CRI: 94

OPTIC

- Source: RGBWL LED
- Output: 12000 Lm
- Beam angle: 20° /35° /45° /55° (Optional)
- Field angle: 35° /65° /90° /95°
- CCT: 2400K~8500K
- CRI: 94
- Source lifetime: >20000 H

EFFECT

- Strobe: 1~25Hz
- Built in effects: 7 kinds

CONTROL & PROGRAM

- Channel: 1 / 4-1 / 5 / 10-1 / 10-2 / 17 / 4-2 / 9 CH
- Protocol: DMX512、RDM
- Data connector: 3 PIN XLR
- Display: O LED display
- Automatic color calibration system to ensure stable and consistent color and color temperature

SOFTWARE

- Via DMX signal to update
- Intelligent temperature protection to ensure LED service life

HOUSING

- Aluminum alloy structure
- Natural heat dissipation

POWER CONSUMPTION

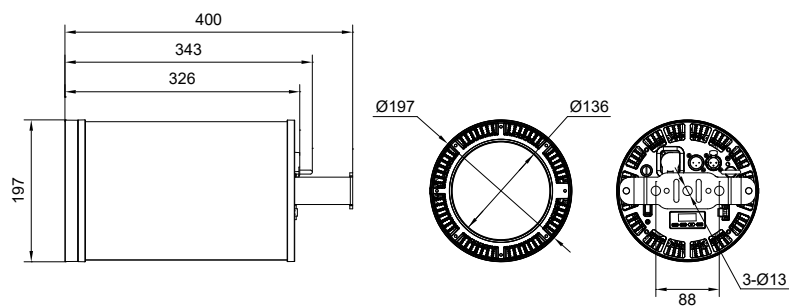
- Voltage: AC 100V-240V 50/60HZ
- Rated power: 240W

OTHER

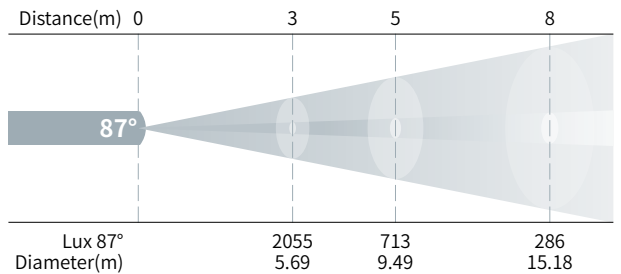
- IP rating: IP30
- Work environment: -40°C ~ 45°C
- Startup environment: -20°C ~ 45°C

SIZE & WEIGHT

- Size: 197 × 197 × 400 mm
- N.W: 7.3 kgs



PHOTOMETRICAL DATA



ACCESSORIES

