

LIGHT MARKET



GOBO Projector 100



Adopts 90W CW LED
 Field angle: 25° /45° /55°
 Rotation gobo wheel: 6 + 1
 Color wheel: 7+1
 IP rating: IP65

OPTIC

- Source: 90W CW LED
 - Field angle: 25° /45° /55°
 - CRI: 80
 - Output: 1100 Lm
 - Source lifetime: >20000 H

EFFECT

- Strobe: 1 ~ 25Hz
 - Rotation gobo wheel: 6 + 1
 - Gobo: Φ23mm, Image: Φ10 mm, thickness: 1.1mm
 - Color wheel: 7 + 1

CONTROL & PROGRAM

- Channel: 6 CH
 - Protocol: DMX512, RDM
 - Power input/output: Waterproof gland with cable + KST connector
 - Display: OLED display

SOFTWARE

- Via DMX signal to update
 - Intelligent temperature protection to ensure LED service life

HOUSING

- Aluminum alloy structure
 - Natural heat dissipation
 - Resistant to salt corrosion

POWER CONSUMPTION

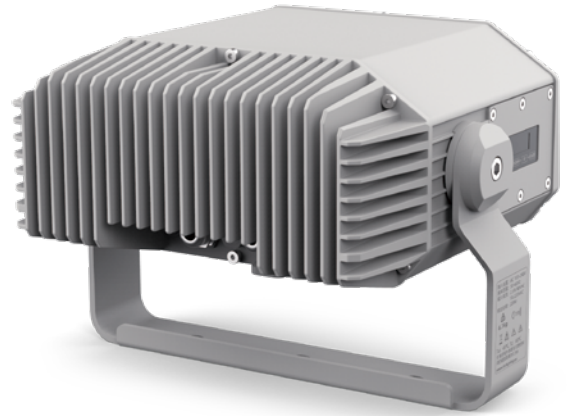
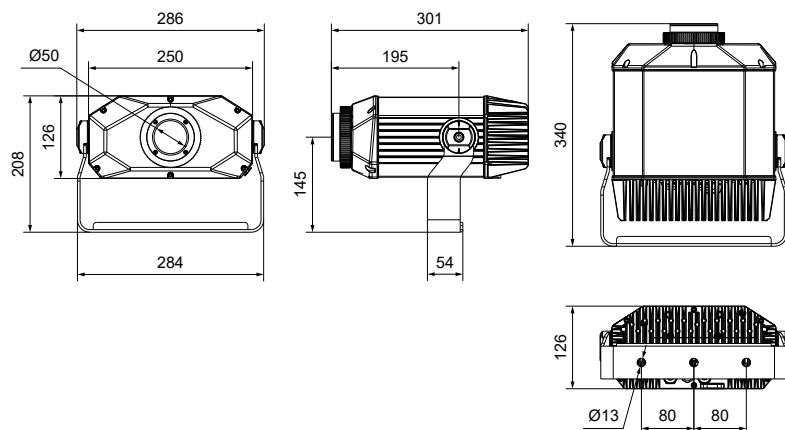
- Voltage: AC 100V~240V 50/60Hz
 - Rated power: 90 W

OTHER

- IP rating: IP65
 - Work environment: -40°C ~ 45°C
 - Startup environment: -20°C ~ 45°C

SIZE & WEIGHT

- Size: 286 × 126 × 340 mm
 - N.W: 6.8 kgs



PHOTOMETRICAL DATA

Distance(m)	0	3	5	8
Lux 25°		2070	743	283
Diameter(m)		1.33	2.22	3.55
Lux 45°		1120	402	155
Diameter(m)		2.49	4.14	6.63
Lux 55°		497	182	81
Diameter(m)		3.12	5.21	8.33

ROTATION GOBO



COLOUR

